

## DS-2CD2620F-IZ(S) 2.0MP 1/2.7" CMOS ICR Bullet Network Camera



### Key Features

- Up to 2.0 megapixel (1920 x 1080) high resolution
- Built-in Micro SD/SDHC/SDXC card slot, up to 128 GB
- Great performance and long lifespan Infrared LED, Approx. 20 to 30 meters IR range
- IR cut filter with auto switch
- DC12V & PoE
- Motorized lens
- Digital Wide Dynamic Range
- 3D Digital Noise Reduction
- Backlight Compensation
- Auto Electronic Shutter
- IP67 weather-proof protection
- 3-axis adjustment
- Mobile Monitoring via Hik-Connect or iVMS-4500



## Specifications

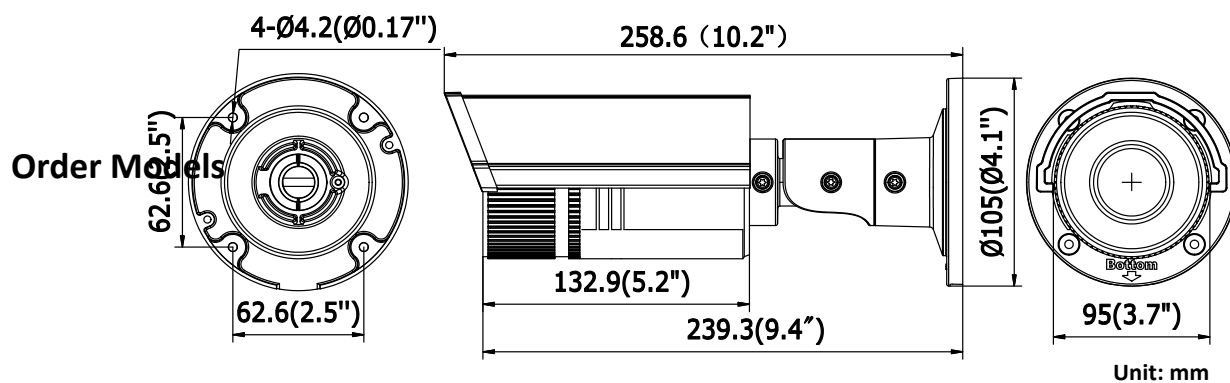
| <b>Camera</b>               |  |
|-----------------------------|--|
| Image Sensor                | 1/2.7" Progressive Scan CMOS   |
| Min. Illumination           | 0.01Lux @ (F1.2, AGC ON), 0 Lux with IR  |
| Shutter Speed               | 1/3 s to 1/100,000 s   |
| Lens                        | 2.7-12mm @ F1.4, horizontal field of view: 133° to 33.8°   |
| Lens Mount                  | Φ14  |
| Day & Night                 | IR cut filter with auto switch   |
| DNR                         | 3D DNR   |
| Wide Dynamic Range          | Digital Wide Dynamic Range   |
| 3-Axis Adjustment           | Pan: 0° to 360°, Tilt: 0° to 100°, Rotation: 0° to 360°  |
| <b>Compression Standard</b> |  |
| Video Compression           | H.264/MJPEG  |
| H.264 Type                  | Baseline Profile/Main Profile  |
| Video Bit Rate              | 32 Kbps to 8 Mbps  |
| Audio Compression           | G.711/G.722.1/G.726/MP2L2  |
| Audio Bit Rate              | 64Kbps(G.711)/16Kbps(G.722.1)/16Kbps(G.726)/32-128Kbps(MP2L2)  |
| Dual Streams                | Support  |
| <b>Image</b>                |  |
| Max. Resolution             | 1920 × 1080  |
| Max Frame Rate              | 50Hz: 25fps (1920 × 1080,1280 × 960,1280 × 720)<br>60Hz: 30fps (1920 × 1080,1280 × 960,1280 × 720)   |
| Sub Stream                  | 50 Hz: 25 fps (320 x 240), 25 fps (352 x 288), 25 fps (640 x 480), 25fps(704 x 576)<br>60 Hz: 30 fps (320 x 240), 30 fps (352 x 288), 30 fps (640 x 480), 30fps(704 x 576) |
| Image Settings              | Saturation, Brightness, Contrast, etc., adjustable by client software or web browser   |
| Backlight Compensation      | Support, zone optional   |
| Region of Interest          | Support one customized region for each stream  |
| <b>Network</b>              |  |
| Storage                     | Support Micro SD/SDHC/SDXC card (up to 128 GB) local storage and NAS (NFS,SMB/CIFS)  |
| Detection                   | Intrusion Detection, Line Crossing Detection, Motion Detection, Dynamic Analysis   |
| Alarm Trigger               | Video Tempering Detection, Network Disconnected, IP Address Conflicted, HDD Full, HDD Error  |
| Protocols                   | TCP/IP, UDP, ICMP, HTTP, HTTPS, FTP, DHCP, DNS, DDNS, RTP, RTSP, RTCP, PPPoE, NTP, UPnP, SMTP, SNMP, IGMP, 802.1X, QoS, IPv6, Bonjour                                      |
| Standard                    | ONVIF (PROFILE S, PROFILE G), PSIA, CGI, ISAPI   |
| General Function            | Anti-Flicker, Mirror, Password Protection, Privacy Mask, Watermark, Heartbeat  |
| <b>Interface</b>            |  |
| Communication Interface     | 1 RJ45 10M/100M Ethernet port  |
| On-board Storage            | Built-in Micro SD/SDHC/SDXC slot, up to 128GB  |

| General              |   |
|----------------------|---|
| Operating Conditions | -30 °C to 60 °C (-22 °F to 140 °F), Humidity 95% or less (non-condensing) |
| Power Supply         | DC12V ± 10%, PoE (802.3af)  |
| Power Consumption    | Max. 7.5 W  |
| IR Range             | Approx. 20 to 30 meters   |
| Protection Level     | IP67  |
| Dimensions           | 258.6 × Ø105 mm (10.2" × 4.1")  |
| Weight               | 1200g (2.6 lbs)   |

**HIKVISION**

DS-2CD2620F-IZ, DS-2CD2620-IZS  
 -S: Audio/Alarm IO

### Dimension



## Camera Accessories



Junction Box  
DS-1260Z



Vertical Pole mount  
DS-1275Z

Distributed by



### Headquarters

No.555 Qianmo Road, Binjiang District,  
Hangzhou 310051, China  
T +86-571-8807-9999  
overseasbusiness@hikvision.com

**Hikvision USA**  
T +1-909-885-0900  
sales.usa@hikvision.com

**Hikvision Italy**  
T +39-0438-6902  
info.it@hikvision.com

**Hikvision Singapore**  
T +65-6684-4718  
sg@hikvision.com

**Hikvision Europe**  
T +31-23-5542770  
eslaseuro@hikvision.com

**Hikvision France**  
T +33(0)1-65-330-444  
info.fr@hikvision.com

**Hikvision Oceania**  
T +61-2-8599-4233  
eslaseau@hikvision.com

**Hikvision Middle East**  
T +971-4-8818088  
salesme@hikvision.com

**Hikvision Spain**  
T +34-91-737-18-55  
info.es@hikvision.com

**Hikvision Hong Kong**  
T +852-2151-1761

**Hikvision Russia**  
T +7-495-669-67-99  
saleru@hikvision.com

**Hikvision Poland**  
T +48-22-480-01-60  
poland@hikvision.com

**Hikvision Canada**  
T +1-909-885-0900  
sales.usa@hikvision.com

**Hikvision India**  
T +91-22-26469900  
sales@pramahikvision.com

**Hikvision UK**  
T +44-1628-9021-4  
support.uk@hikvision.com